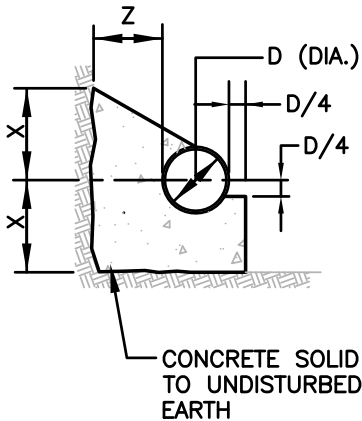


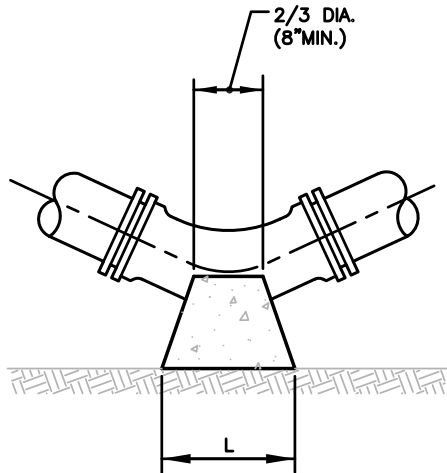
PLAN



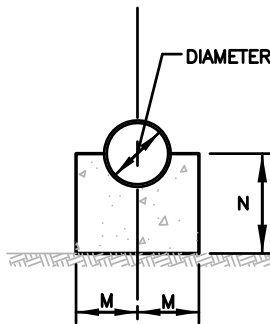
SECTION

BEND		HORIZONTAL BENDS				
		PIPE SIZE-D (DIA.)				
		6"	8"	12"	16"	20"
1/8	X	1'-0"	1'-0"	1'-0"	1'-3"	1'-6"
	Y	1'-0"	1'-6"	2'-0"	2'-6"	3'-0"
	Z	8"	10"	1'-2"	1'-4"	1'-6"
1/16	X	1'-0"	1'-0"	1'-0"	1'-3"	1'-6"
	Y	1'-0"	1'-4"	1'-6"	1'-9"	2'-6"
	Z	8"	10"	1'-2"	1'-4"	1'-6"
1/32	X	1'-0"	1'-0"	1'-0"	1'-2"	1'-4"
	Y	1'-0"	1'-0"	1'-2"	1'-4"	1'-6"
	Z	8"	10"	1'-2"	1'-4"	1'-6"

HORIZONTAL BENDS



ELEVATION




SECTION

BEND		VERTICAL BENDS				
		PIPE SIZE-D (DIA.)				
		6"	8"	12"	16"	20"
1/8	L	1'-3"	1'-8"	2'-6"	3'-6"	4'-8"
	M	7"	8"	11"	1'-4"	1'-6"
	N	7"	8"	11"	1'-4"	1'-6"
1/16	L	9"	1'-0"	1'-9"	2'-6"	3'-0"
	M	7"	7"	10"	1'-0"	1'-2"
	N	7"	7"	8"	10"	1'-0"
1/32	L	6"	8"	1'-0"	1'-4"	1'-9"
	M	7"	7"	10"	1'-0"	1'-2"
	N	7"	7"	8"	10"	1'-0"

VERTICAL BENDS

NOTE:

THE DIMENSIONS PROVIDED REPRESENT THE MINIMUM REQUIREMENTS. THE ACTUAL THRUST BLOCK DIMENSIONS WILL BE BASED UPON THE SOIL BEARING CAPACITY AND SYSTEM PRESSURE ON A PROJECT SPECIFIC BASIS.

Detail No. WSA - 29 Thrust Block Details (Horizontal and Vertical Bends)	
<b>Contract BB</b>	
Date: September 2011	Scale: Not to Scale
	<b>WARWICK SEWER AUTHORITY</b> 125 Arthur Devine Boulevard Warwick, Rhode Island 02889