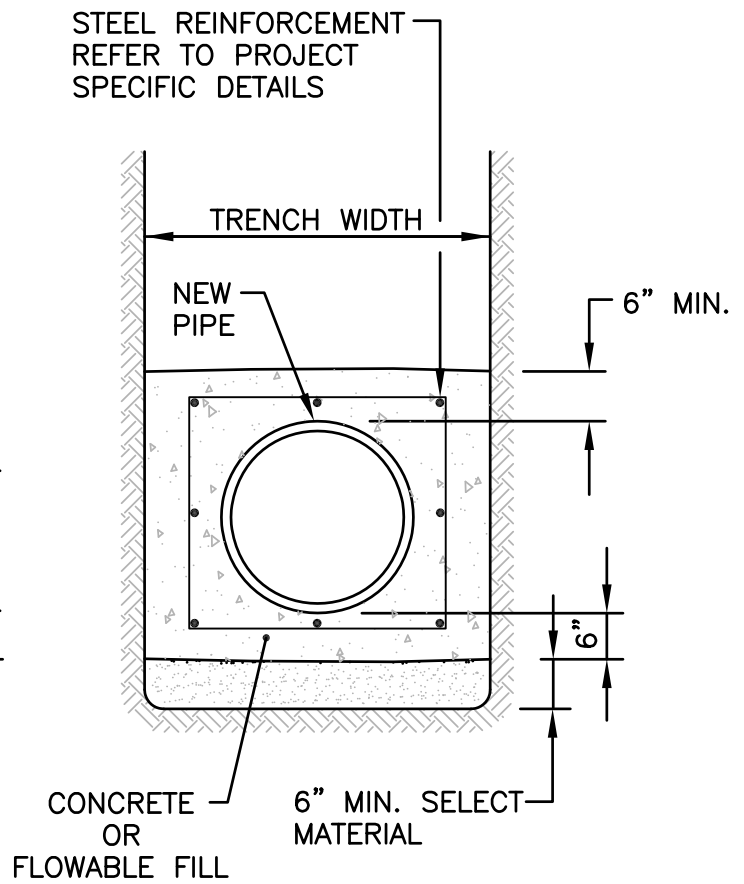



HALF CRADLE



FULL CRADLE and ENCASEMENT

**NOTE:**

THE USE OF CONCRETE VS. FLOWABLE FILL WILL BE DETERMINED ON A SITE SPECIFIC BASIS BY THE ENGINEER

Detail No. WSA - 27	
Pipe Cradle	
Contract BB	
Date: September 2011	Scale: Not to Scale
	<b>WARWICK SEWER AUTHORITY</b> 125 Arthur Devine Boulevard Warwick, Rhode Island 02889