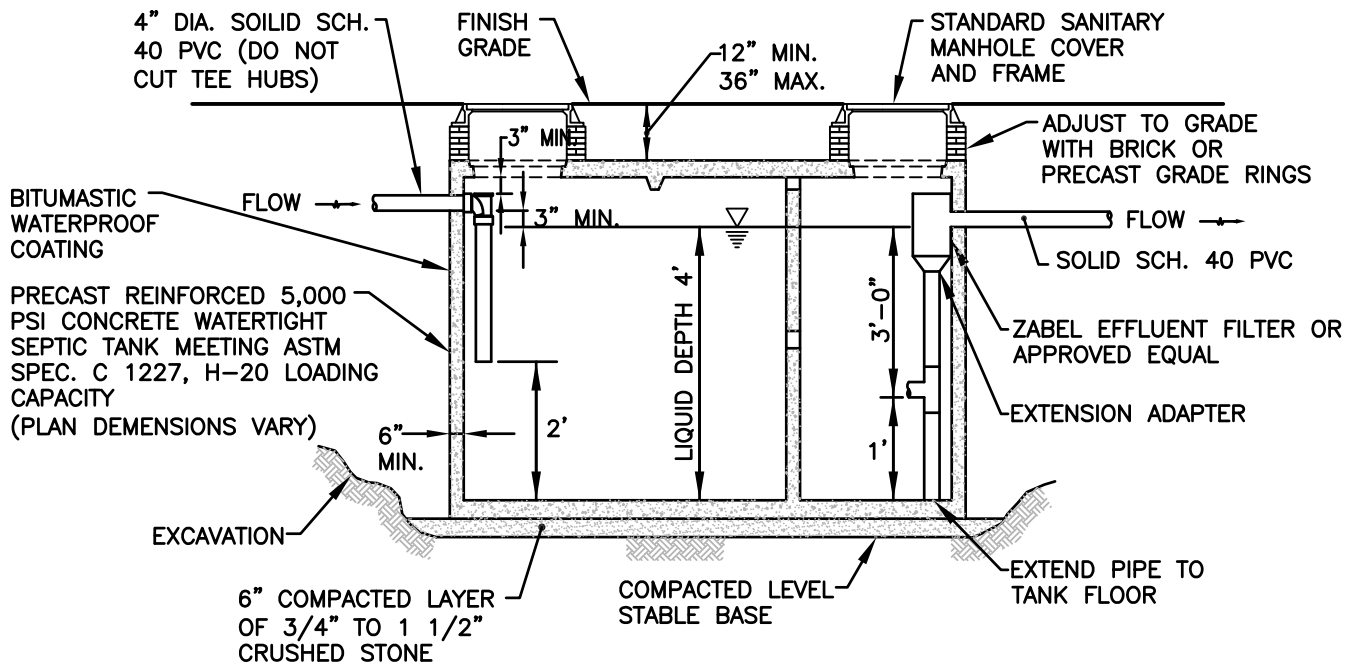


**PRIMARY GREASE TRAP**  
(SEE TABLE FOR CAPACITY)



**SECONDARY GREASE TRAP**  
(SEE TABLE FOR CAPACITY)

**NOTE:**

ZABEL EFFLUENT FILTER MODEL TO BE BASED UPON MAXIMUM DAILY FLOW RATE. MODEL A300 TO BE USED FOR FLOWS TO 6,000 GPD.

Detail No. WSA - 26 (1 of 2)

Grease Trap

Contract BB

Date: September 2011

Scale: Not to Scale



**WARWICK SEWER AUTHORITY**

125 Arthur Devine Boulevard  
Warwick, Rhode Island 02889